

WIRING DIAGRAMS

Article Text

1983 Volkswagen Rabbit

For <http://volkswagen.msk.ru>

Copyright © 1998 Mitchell Repair Information Company, LLC

Thursday, March 15, 2001 11:48PM

ARTICLE BEGINNING

1983 Wiring Diagrams
Volkswagen

WIRING DIAGRAMS

JETTA, RABBIT CONVERTIBLE & SCIROCCO

WIRING DIAGRAMS
Article Text (p. 2)
 1983 Volkswagen Rabbit
 For <http://volkswagen.msk.ru>
 Copyright © 1998 Mitchell Repair Information Company, LLC
 Thursday, March 15, 2001 11:48PM

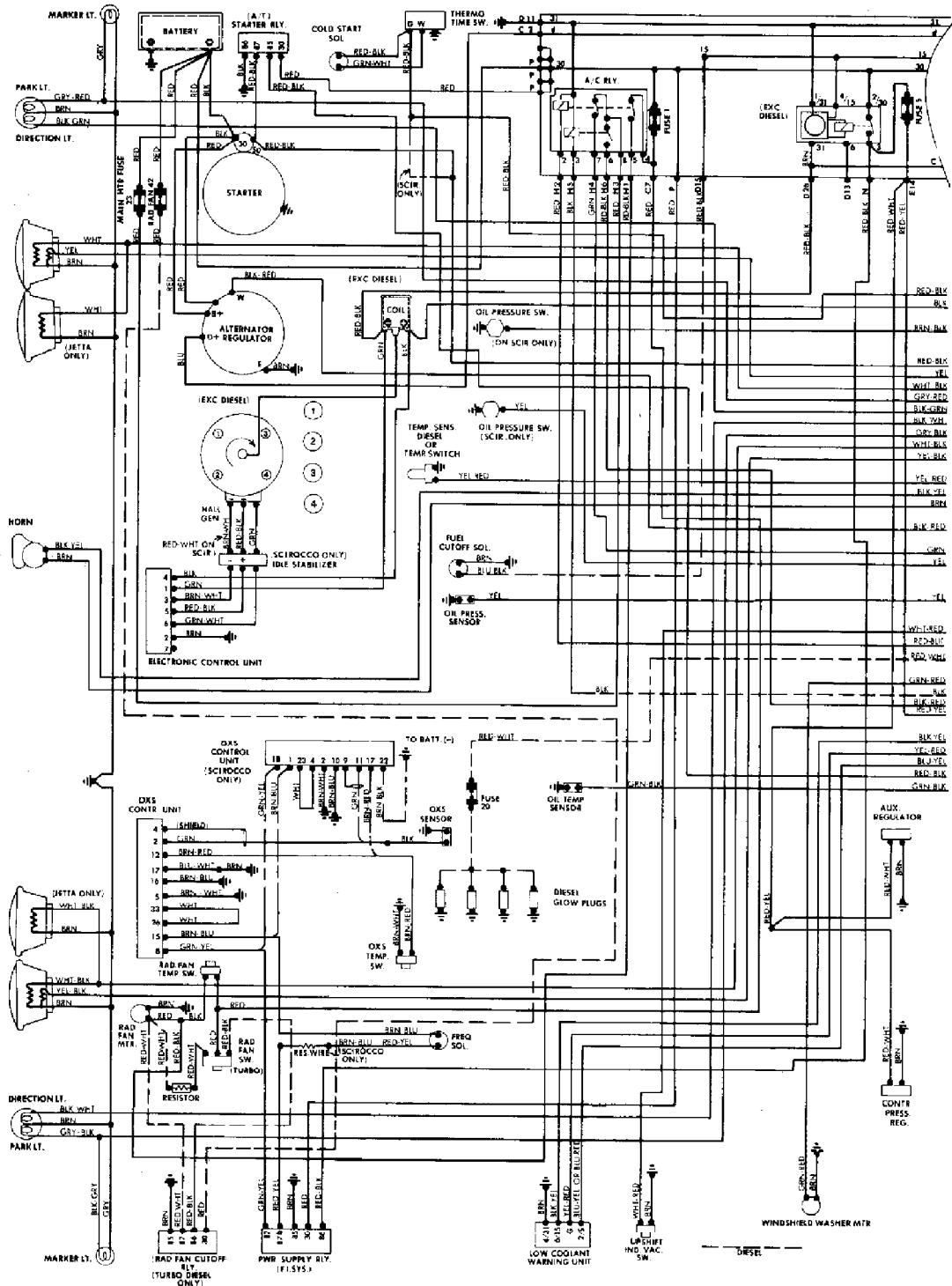


Fig. 1: Engine Compartment & Fuse Block (Jetta, Rabbit Conv. & Scirocco)

WIRING DIAGRAMS
Article Text (p. 3)
 1983 Volkswagen Rabbit
 For <http://volkswagen.msk.ru>
 Copyright © 1998 Mitchell Repair Information Company, LLC
 Thursday, March 15, 2001 11:48PM

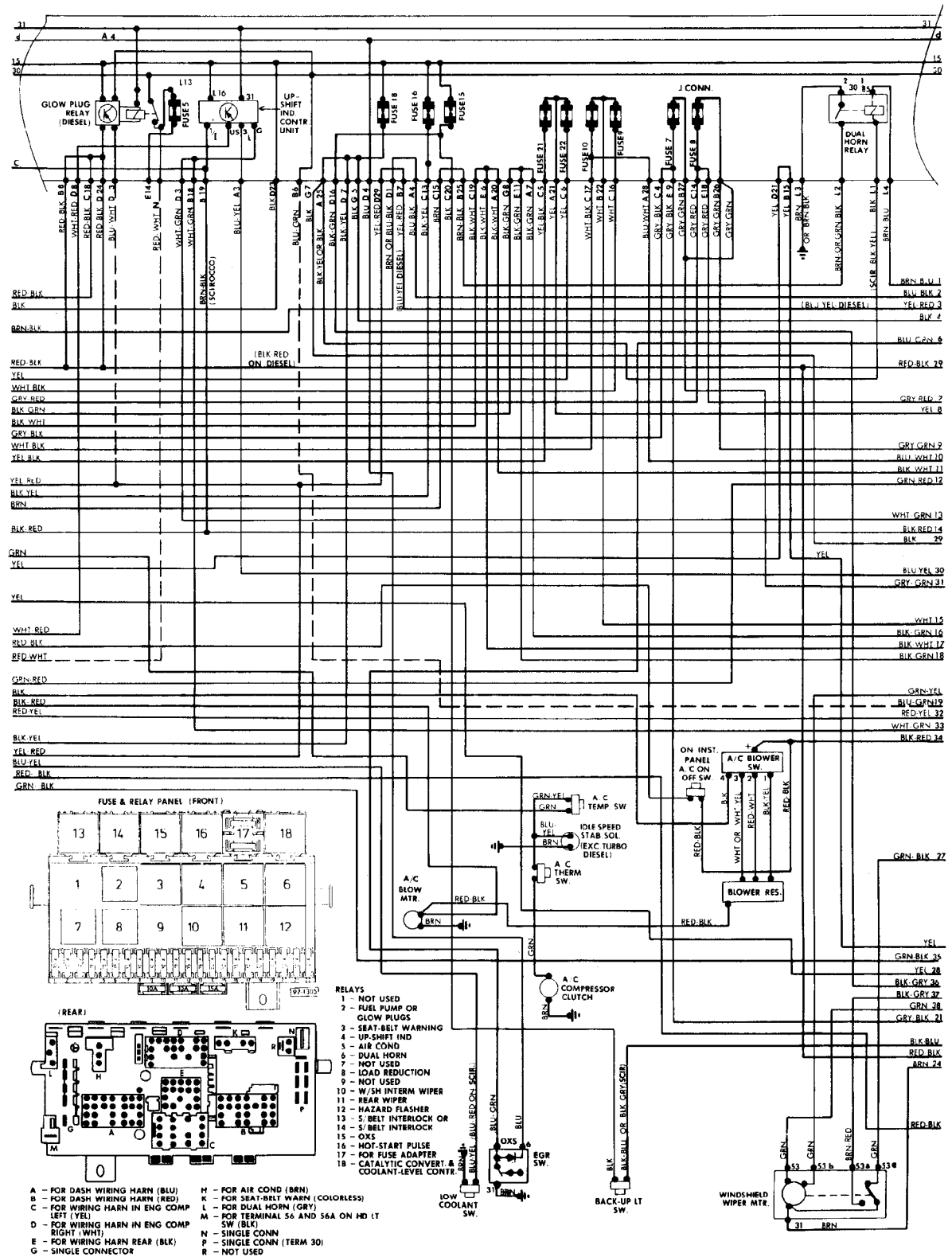


Fig. 2: Fuse Block (Cont.) & Underdash (Jetta, Rabbit Conv. & Scirocco)

WIRING DIAGRAMS
Article Text (p. 4)
 1983 Volkswagen Rabbit
 For <http://volkswagen.msk.ru>
 Copyright © 1998 Mitchell Repair Information Company, LLC
 Thursday, March 15, 2001 11:48PM

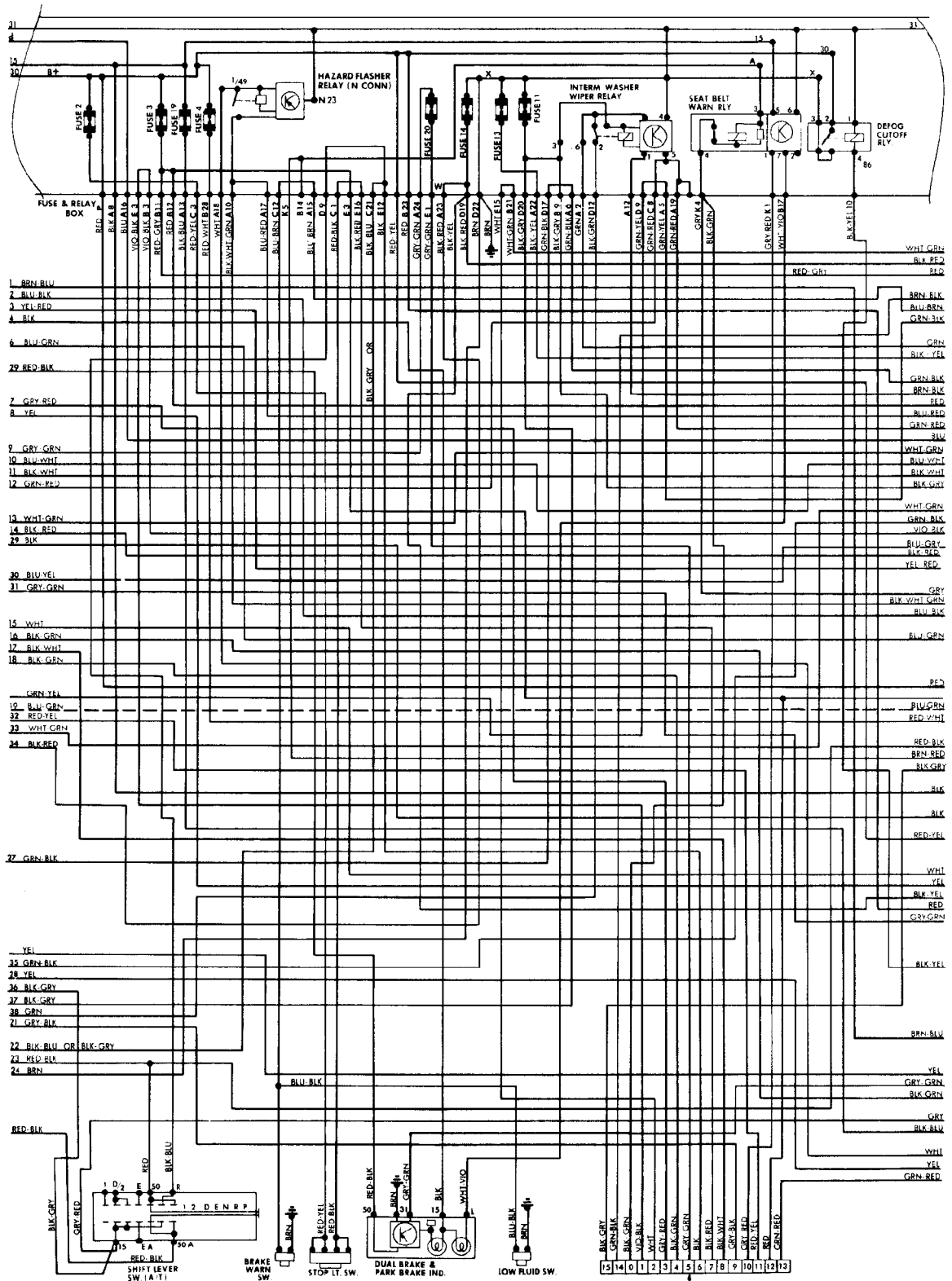


Fig. 3: Fuse Block & Underdash (Cont.) (Jetta, Rabbit Conv. & Scirocco)

WIRING DIAGRAMS
Article Text (p. 5)
 1983 Volkswagen Rabbit
 For <http://volkswagen.msk.ru>
 Copyright © 1998 Mitchell Repair Information Company, LLC
 Thursday, March 15, 2001 11:48PM

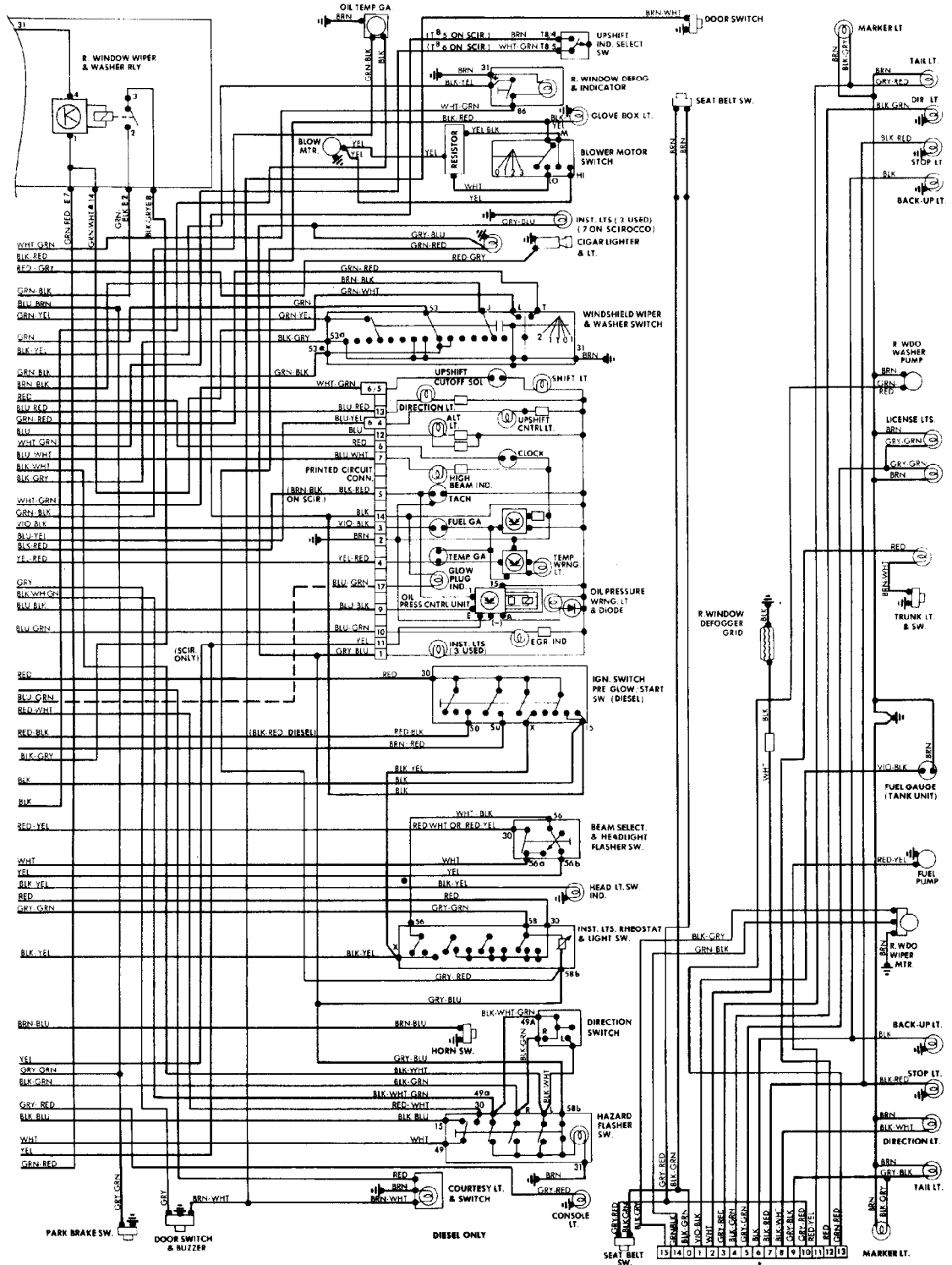


Fig. 4: Instrument Panel & Rear Compartment (Jetta, Rabbit Conv. & Scirocco)

WIRING DIAGRAMS
Article Text (p. 6)
 1983 Volkswagen Rabbit
 For <http://volkswagen.msk.ru>
 Copyright © 1998 Mitchell Repair Information Company, LLC
 Thursday, March 15, 2001 11:48PM

RABBIT & RABBIT PICKUP INCLUDING DIESELS

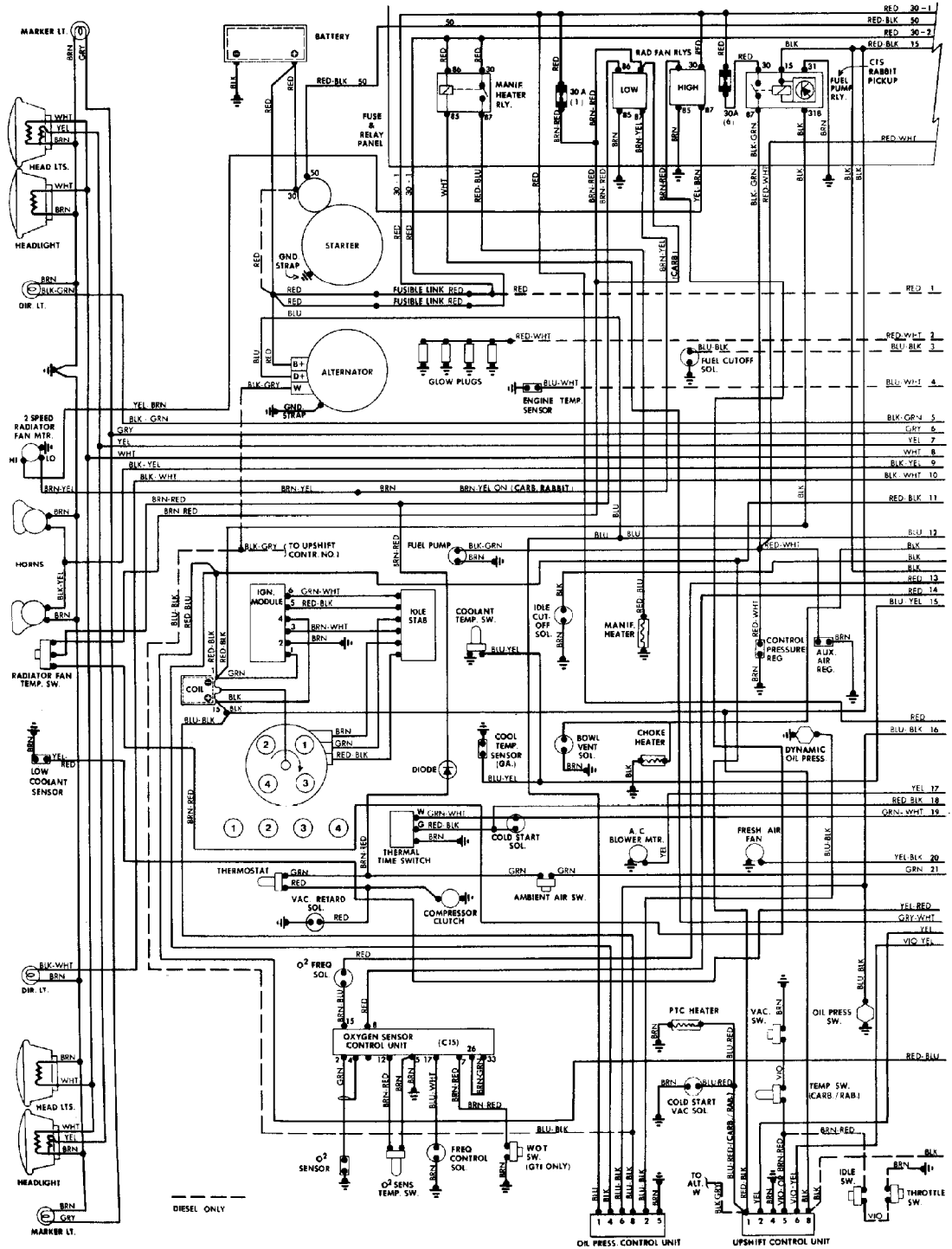


Fig. 5: Engine Compartment & Fuse Block (Rabbit & Rabbit Pickup Gas & Diesels)

WIRING DIAGRAMS
Article Text (p. 7)
 1983 Volkswagen Rabbit
 For <http://volkswagen.msk.ru>
 Copyright © 1998 Mitchell Repair Information Company, LLC
 Thursday, March 15, 2001 11:48PM

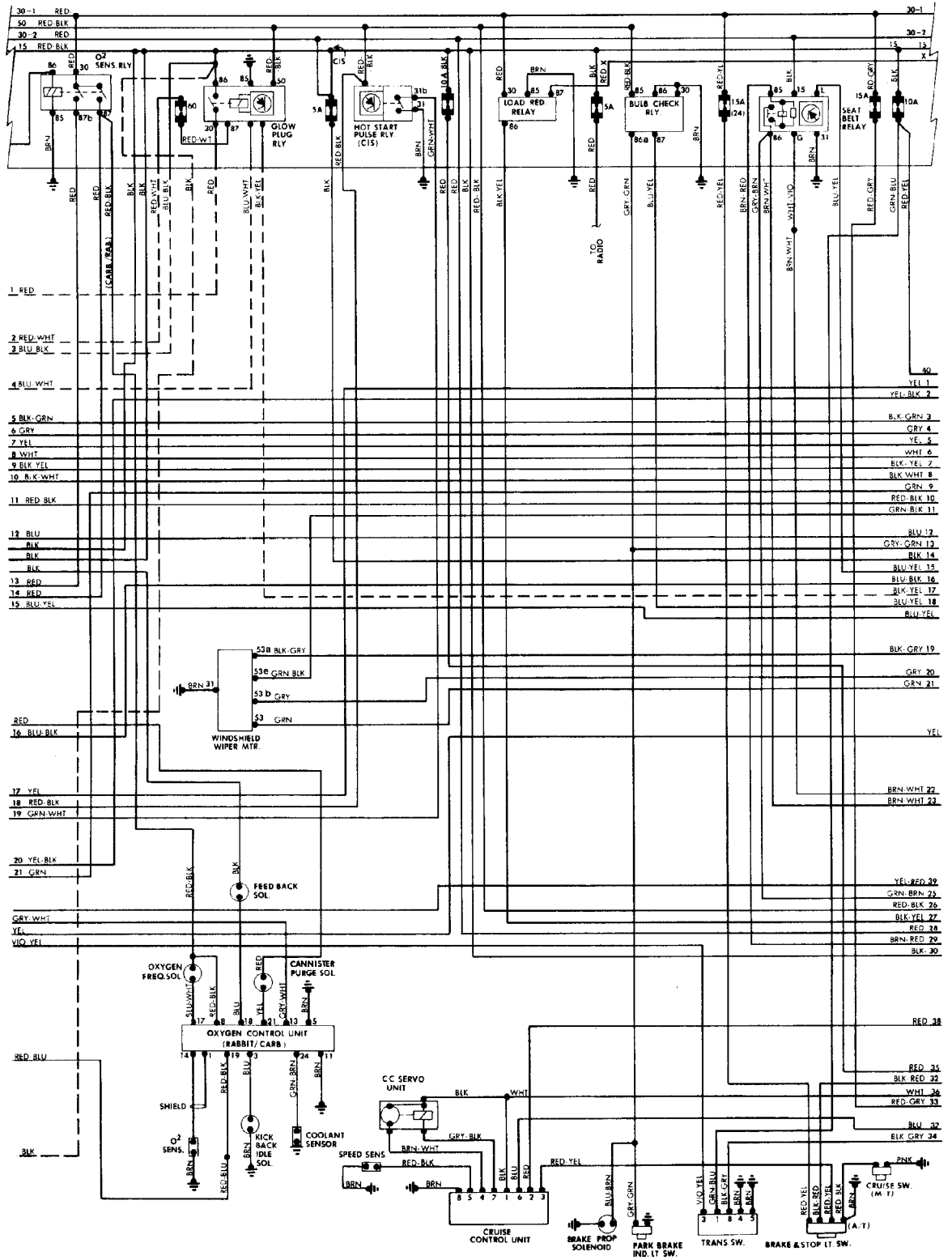


Fig. 6: Engine Compartment & Fuse Block (Cont.) (Rabbit & Rabbit Pickup Gas & Diesels)

WIRING DIAGRAMS
Article Text (p. 8)
 1983 Volkswagen Rabbit
 For <http://volkswagen.msk.ru>
 Copyright © 1998 Mitchell Repair Information Company, LLC
 Thursday, March 15, 2001 11:48PM

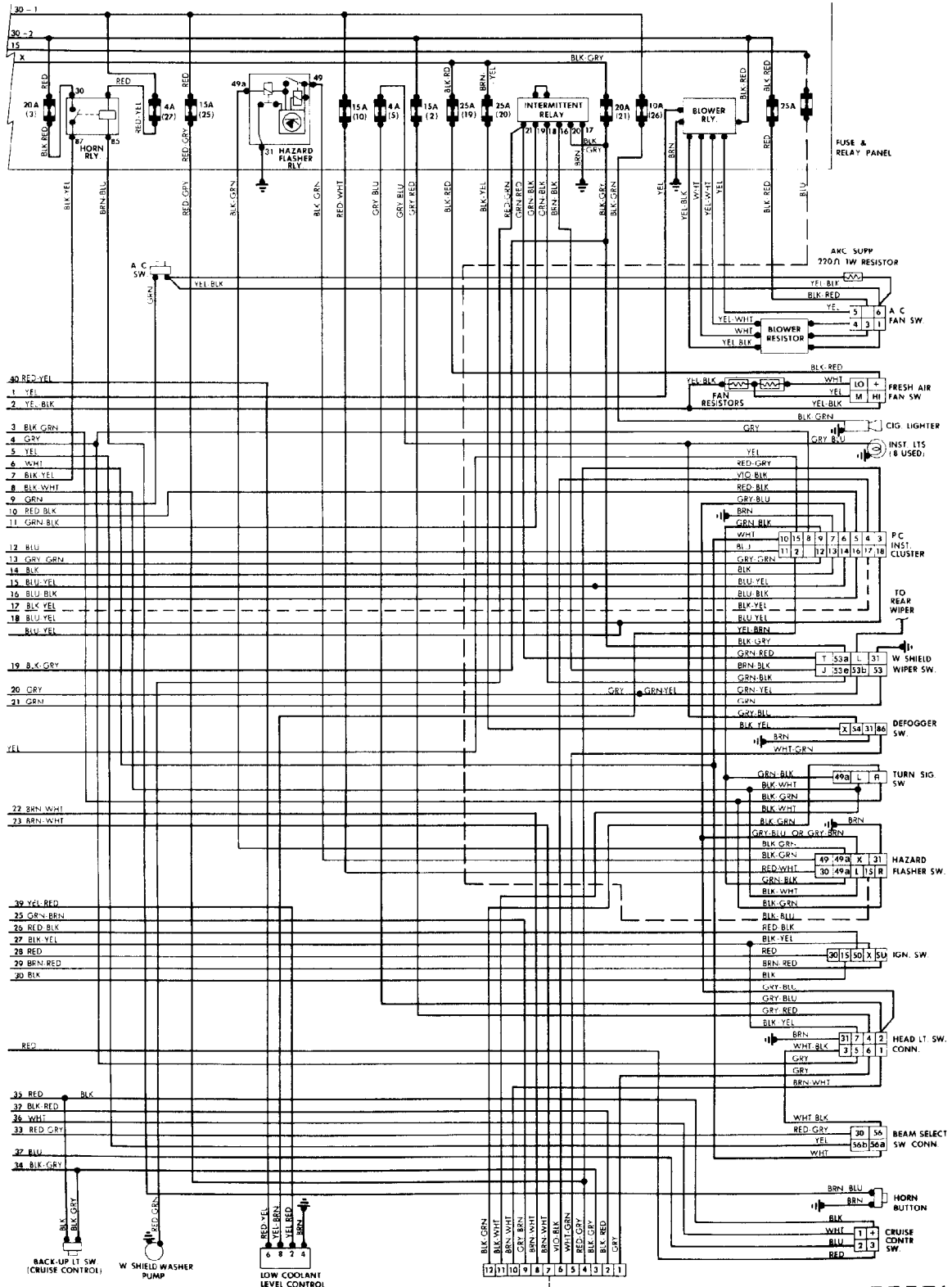


Fig. 7: Fuse Block (Cont.) Underdash & Instrument Panel (Rabbit & Rabbit Pickup Gas & Diesels)

WIRING DIAGRAMS
Article Text (p. 9)
 1983 Volkswagen Rabbit
 For <http://volkswagen.msk.ru>
 Copyright © 1998 Mitchell Repair Information Company, LLC
 Thursday, March 15, 2001 11:48PM

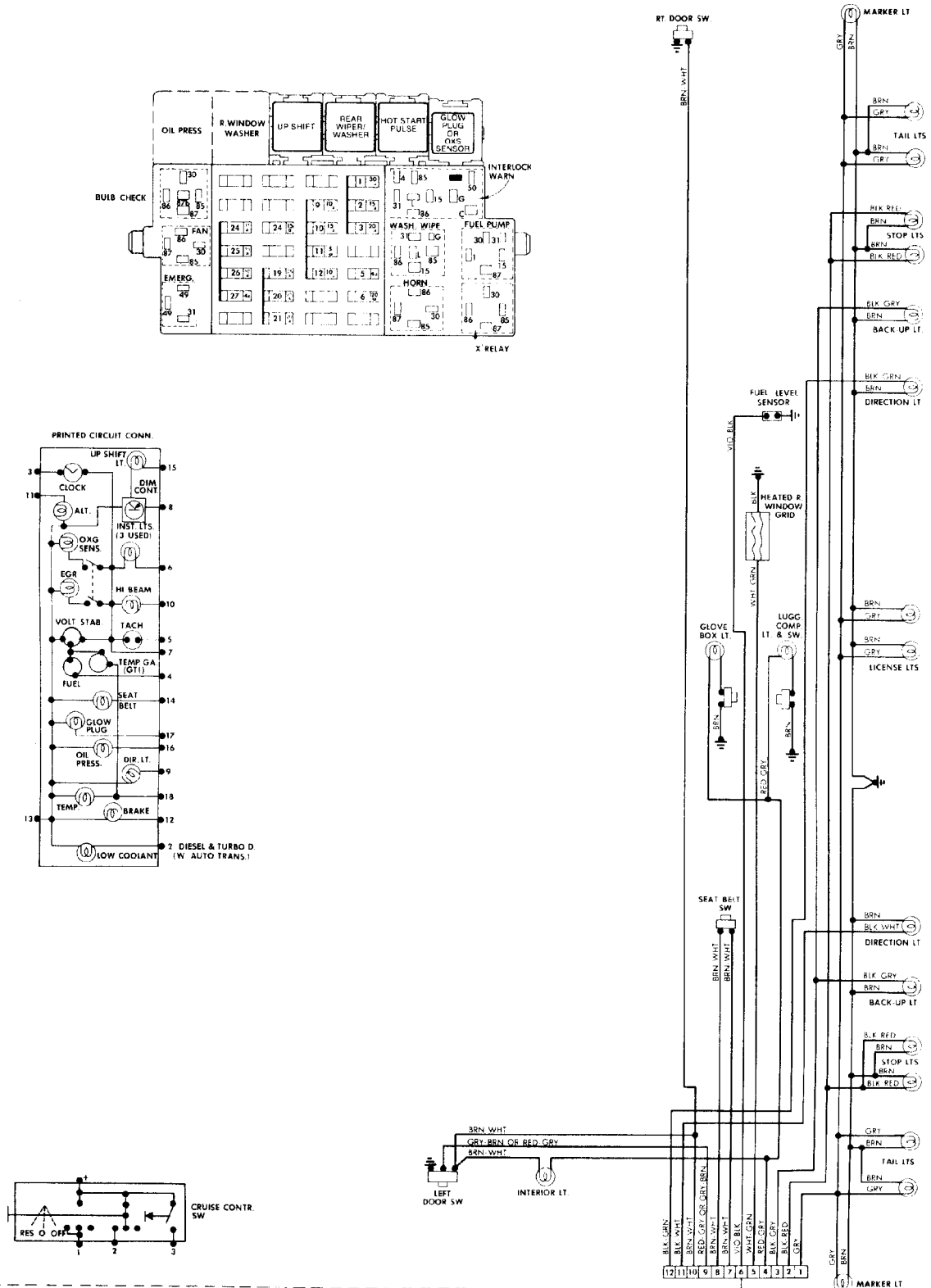


Fig. 8: Fuse Block (Cont.) & Rear Compartment (Rabbit & Rabbit Pickup Gas & Diesels)

WIRING DIAGRAMS

Article Text (p. 10)

1983 Volkswagen Rabbit

For <http://volkswagen.msk.ru>

Copyright © 1998 Mitchell Repair Information Company, LLC

Thursday, March 15, 2001 11:48PM

END OF ARTICLE